



# PTH 50S MODEL

## ELEVATE COMFORT AND PRODUCTIVITY

**Crown's PTH 50S hand pallet truck with manual scissor lift improves operator comfort and efficiency** by avoiding unnecessary bending and lifting that can cause strains and stresses on the body.

The PTH 50S is designed and manufactured by Crown to ensure the highest quality, while being backed by an extensive dealer network with experienced and dedicated professionals.

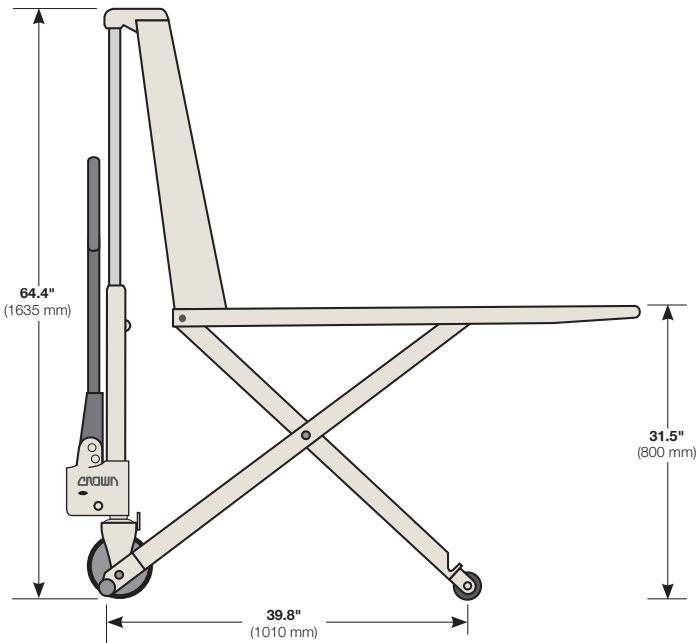
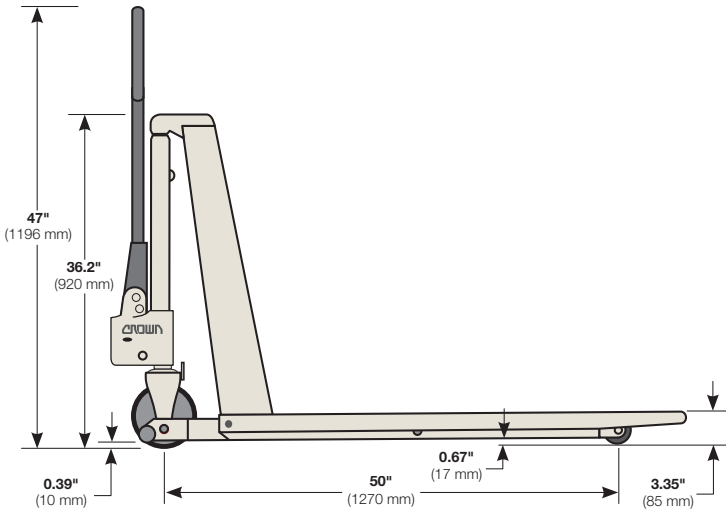
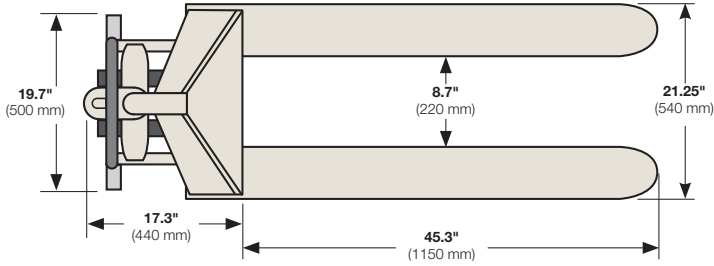


- Use as a hand pallet truck and mobile work positioner
- Handle skids and open-bottom containers
- Transport loads, use as a worktable and feed printing or punch presses, as well as conveyors

Rugged and Dependable.



# PTH 50S Model



## Technical Information

		Imperial	Metric
Manufacturer		Crown Equipment Corporation	
Scissor Lift Model		<b>PTH 50S</b>	
Power, Hydraulic		Manual	
Load Capacity	lb kg	2200	1000
Load Center	in mm	23.6	600
Fork Length	in mm	45.3	1150
Overall Length	in mm	62.6	1590
Outside Fork Spread	in mm	21.25	540
Fork Width	in mm	6.3	160
Fork Height	Lowered	in mm	3.35
	Raised	in mm	31.5
Steer Angle	degree	200	
Ground Clearance	in mm	0.67	17
Poly Steer Wheels	in mm	7.1 x 2.0	180 x 50
Poly Load Wheels	Single	in mm	2.9 x 2.95
Truck Weight	lb kg	348	158

### Standard Features

#### Control Handle

- Ergonomic handle features optimal thickness and angled shape for fatigue-free operation
- Three position control lever (raise, lower and neutral) is easily actuated with one finger
- Handle is reinforced at the base for added durability

#### Handling

- Two hundred degree steer angle for maneuvering in tight areas

#### Frame and Fork Assembly

- One-piece formed C-channel steel, reinforced forks for maximum strength and longer life
- Heavy-duty, solid steel scissor legs

#### Hydraulic System

- Manual actuation of hydraulic lift using the handle
- Single-piece cast pump with serviceable valve cartridge
- Overload bypass valve prevents lifting of loads beyond the rated capacity
- Top-of-stroke bypass protects the hydraulic system and extends the life of the system components

- Hard-chrome ram and piston improve service life and minimize rust

#### Operator Safety and Control

- Two stabilizer supports disengage the steer wheels at lift height of 15.7" (400 mm) to prevent unexpected truck movement
- Placing the control lever in the neutral position prevents raising or lowering while releasing tension on the handle
- Control lever automatically returns to neutral when released from the lower position



**Crown Equipment Corporation**  
 New Bremen, Ohio 45869 USA  
**Tel** 419-629-2311  
**Fax** 419-629-3796  
[crown.com](http://crown.com)

You can count on Crown to build lift trucks designed for safe operation, but that's only part of the safety equation. Crown encourages safe operating practices through ongoing operator training, safety-focused supervision, maintenance and a safe working environment. Go to [crown.com](http://crown.com) and view our safety section to learn more.

Because Crown is continually improving its products, specifications are subject to change without notice.

Crown, the Crown logo, the color beige, the Momentum Mark and ecologic are trademarks of Crown Equipment Corporation.

Copyright 2013 Crown Equipment Corporation  
 SF18992 01-14  
 Printed in U.S.A.



Clean Environment. Smart Business.

Printed on elemental chlorine free and sustainably forested paper.